

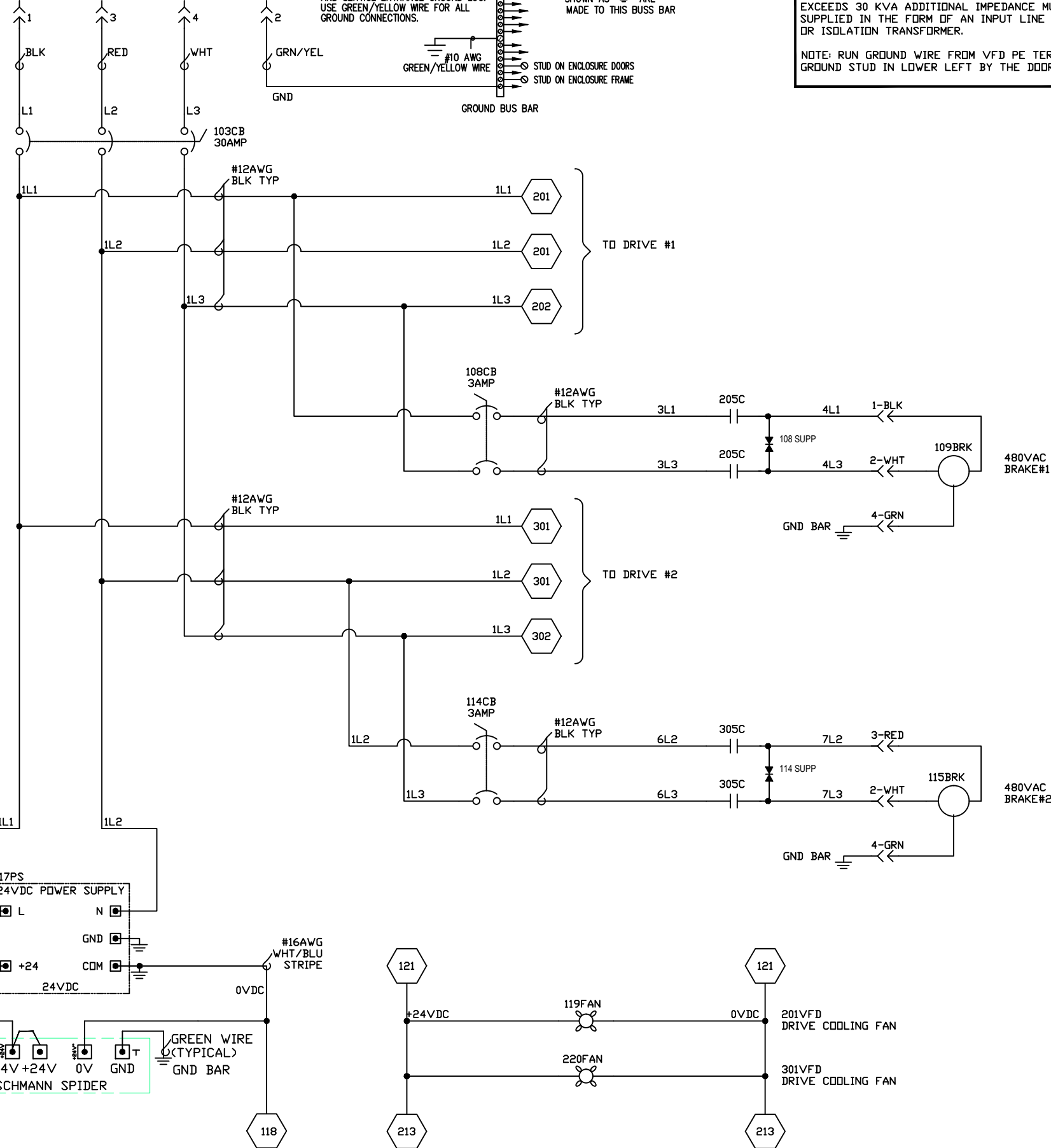
100
101
102
103
104
105
106
107
108
109
110
111
112
113
114
115
116
117
118
119
120
121
122

FROM CUSTOMER 480VAC, 3-PHASE, 60HZ WYE CONNECTED POWER DISTRIBUTION WITH SOLIDLY GROUNDED NEUTRAL.

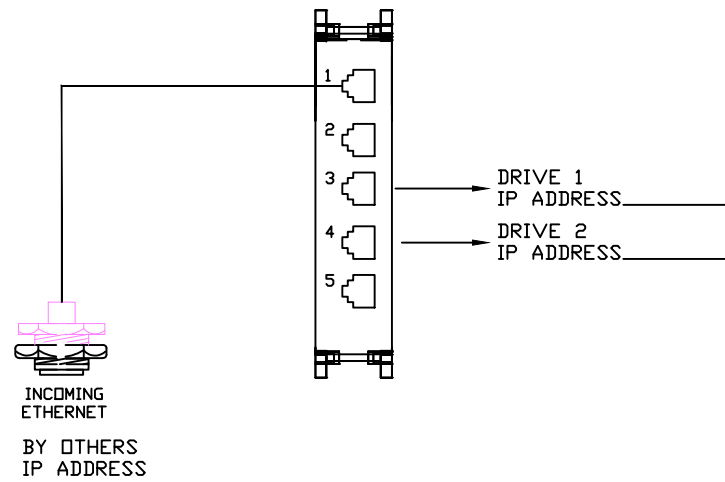
NOTE: REMOVE PAINT FROM SUBPLATE AND SERVICE ENTRANCE GROUND LUG. USE GREEN/YELLOW WIRE FOR ALL GROUND CONNECTIONS.

NOTE: ALL CONNECTIONS SHOWN SHOWN AS \oplus ARE MADE TO THIS BUSS BAR

NOTE: IF THE USER SUPPLIED INPUT POWER DISTRIBUTION EXCEEDS 30 KVA ADDITIONAL IMPEDANCE MUST BE SUPPLIED IN THE FORM OF AN INPUT LINE REACTOR OR ISOLATION TRANSFORMER.
NOTE: RUN GROUND WIRE FROM VFD PE TERMINAL TO CABINET GROUND STUD IN LOWER LEFT BY THE DOOR HINGE.



1783-US5T



UNITS ARE MILLIMETERS (i.e.X.XXmm [x.xxx"])
DO NOT SCALE DRAWING

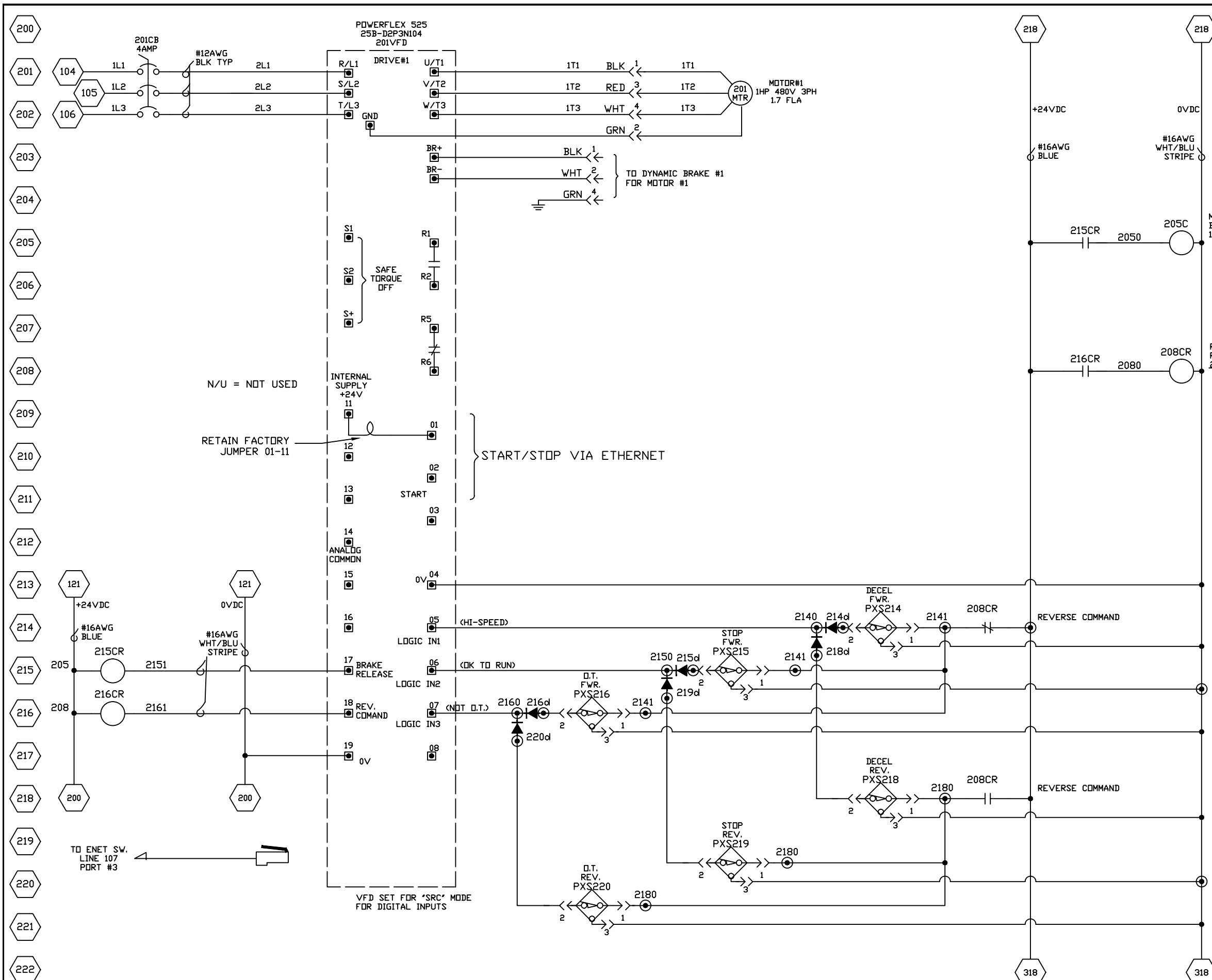
EXCEPT AS NOTED
DECIMAL TOL. SHALL BE:
0 PLACE (FRACTIONS) $\pm .400$ [1/64"]
1 PLACE $\pm .200$ [0.010"]
2 PLACE $\pm .100$ [0.005"]
3 PLACE $\pm .010$ [0.0005"]
ALL DOWEL LOC ± 0.010 [0.0005"]
BETWEEN HOLES

EXCEPT AS NOTED, MAXIMUM ALLOWABLE ROUGHNESS SHALL BE:
1 PLACE FINISH 6 MICRONS (250 MICROINCHES)
2 PLACE FINISH 3 MICRONS (125 MICROINCHES)
3 PLACE FINISH 1.6 MICRONS (63 MICROINCHES)

REV	REV BY	REV DATE	CHK BY	DESCRIPTION

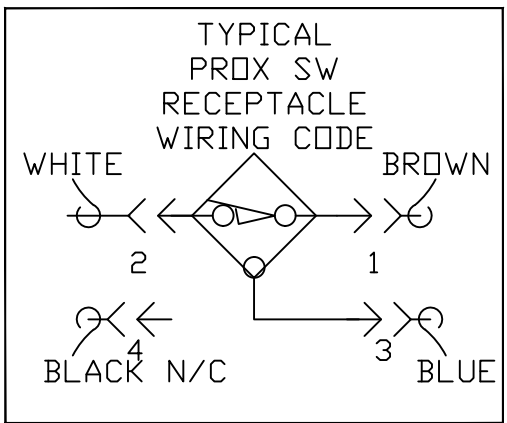


TOOL NAME POWERFLEX 525 PANEL BOX DOUBLE - 1HP NO I/O			
DRAWN BY cmcwilliams	DATE 09-24-15	LAST EDIT BY cmcwilliams	ENG APPROVAL
SHEET 1	OF 4	FILE NAME	
SCALE			SO2166 1HP DOUBLE



TO DRIVE
 TO PXS 214d → ○ 2140
 PINS 218d → ○ 2140
 JUMPER 1492SJ5B10

DIODE TERMINALS
 POLARITY MUST BE
 AS SHOWN



UNITS ARE MILLIMETERS
 (i.e.X.XXmm [x.xxx"])
 DO NOT SCALE DRAWING

EXCEPT AS NOTED
 DECIMAL TOL. SHALL BE:
 0 PLACE (FRACTIONS) ± .400 [1/64"]
 1 PLACE ± .200 [0.010"]
 2 PLACE ± .100 [0.005"]
 3 PLACE ± .010 [0.0005"]
 ALL DOWEL LOC ± 0.010 [0.0005"]
 BETWEEN HOLES

EXCEPT AS NOTED, MAXIMUM
 ALLOWABLE ROUGHNESS SHALL BE:
 1 PLACE FINISH 6 MICRONS (250 MICROINCHES)
 2 PLACE FINISH 3 MICRONS (125 MICROINCHES)
 3 PLACE FINISH 1.6 MICRONS (63 MICROINCHES)

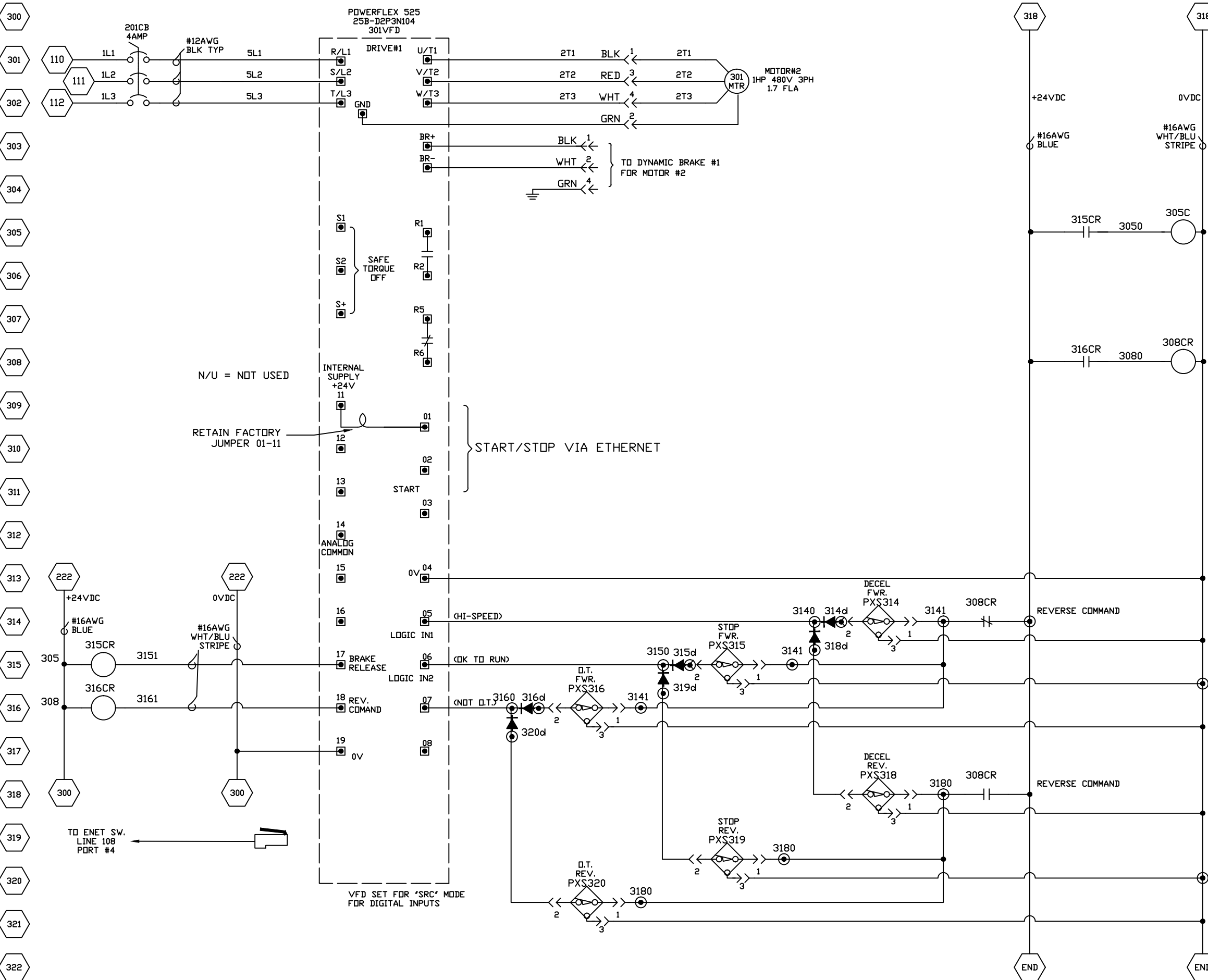
REV	REV BY	REV DATE	CHK BY	DESCRIPTION
A		4-26-2016		ADDED WIRE#S 2151,2161, & DIODE INSIDE TERMS

WEKER BEARING COMPANY

TOOL NAME: POWERFLEX 525 PANEL BOX DOUBLE - 1HP NO I/O

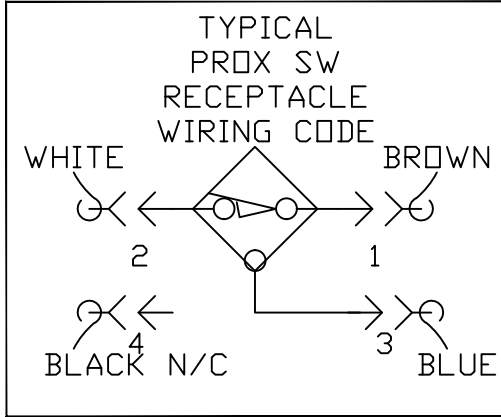
DRAWN BY: cmcwilliams	DATE: 09-24-15	LAST EDIT BY: cmcwilliams	ENG APPROVAL:
SHEET: 2	OF: 4	FILE NAME:	SO2166 1HP DOUBLE

SCALE:



TO DRIVE
 TO PXS 314d
 PINS 318d
 JUMPER
 1492SJ5B10

DIODE TERMINALS
 POLARITY MUST BE
 AS SHOWN



UNITS ARE MILLIMETERS
 (i.e.X.XXmm [x.xxx"])
 DO NOT SCALE DRAWING

EXCEPT AS NOTED
 DECIMAL TOL. SHALL BE:
 0 PLACE (FRACTIONS) ± .400 [1/64"]
 1 PLACE ± .200 [0.010"]
 2 PLACE ± .100 [0.005"]
 3 PLACE ± .010 [0.0005"]
 ALL DOWEL LOC ± 0.010[.0005"]
 BETWEEN HOLES

EXCEPT AS NOTED, MAXIMUM
 ALLOWABLE ROUGHNESS SHALL BE:
 1 PLACE FINISH 6 MICRONS (250 MICROINCHES)
 2 PLACE FINISH 3 MICRONS (125 MICROINCHES)
 3 PLACE FINISH 1.6 MICRONS (63 MICROINCHES)

REV	REV BY	REV DATE	CHK BY	DESCRIPTION
A		4-26-2016		ADDED WIRE#S 3151,3161, & DIODE INSIDE TERMS

WEKER BEARING COMPANY			
TOOL NAME POWERFLEX 525 PANEL BOX DOUBLE - 1HP NO I/O			
DRAWN BY cmcwiliams	DATE 09-24-15	LAST EDIT BY cmcwiliams	ENG APPROVAL
SHEET 3	OF 4	FILE NAME	SO2166 1HP DOUBLE
SCALE			

3-BRADY TAGS MOUNTED ON DOOR FRONT NEAR DISCONNECT SWITCH

BRADY 101950 STICKER

WARNING

Arc Flash And Shock Hazard
Appropriate PPE Required

Do not operate controls or open covers without appropriate personal protection equipment. Failure to comply may result in injury or death!

Refer to NFPA 70E for minimum PPE requirements.

WHITE LETTERS ON RED BACKGROUND
BRADY Y1200559 STICKER

WARNING

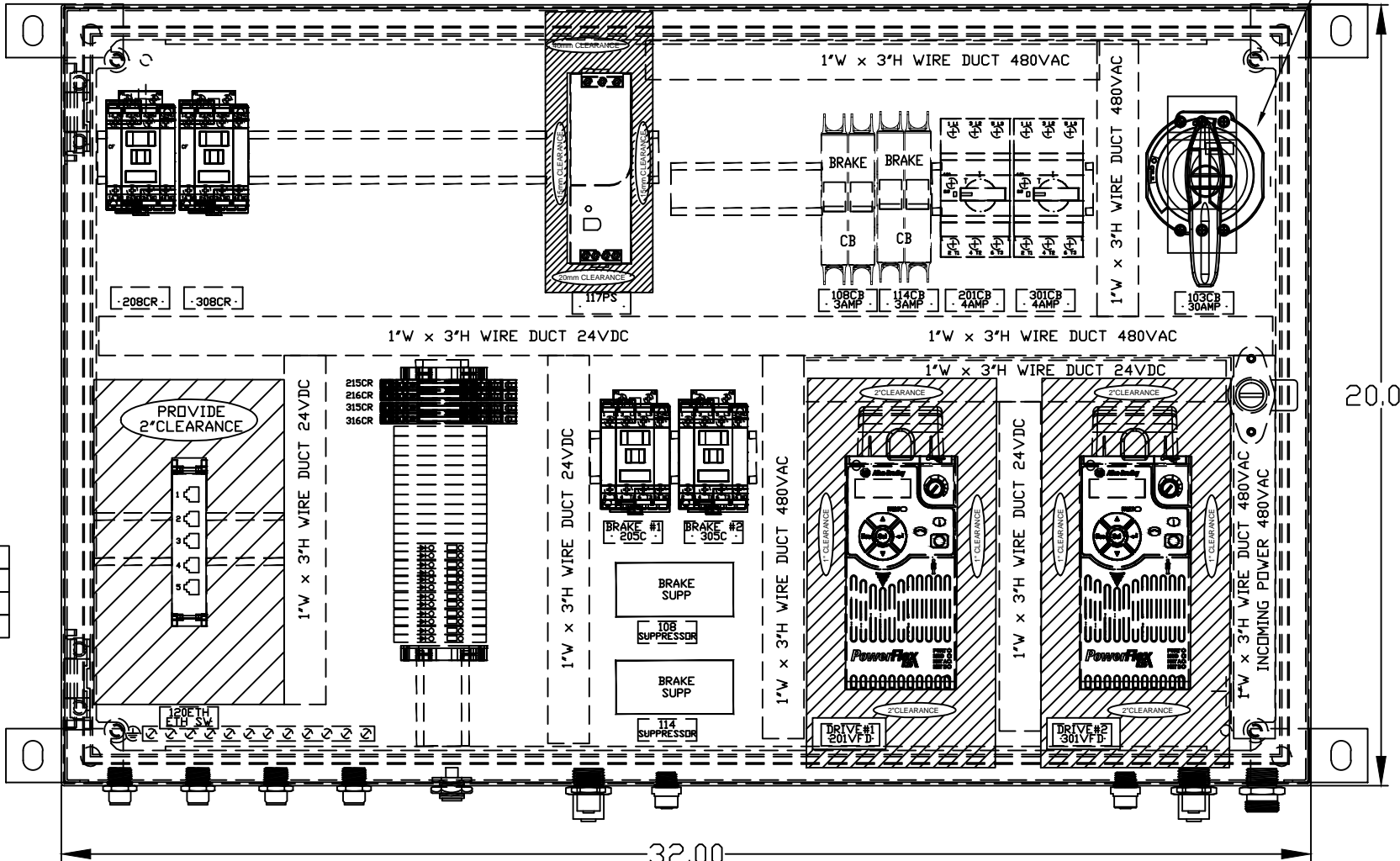
DISCONNECT POWER BEFORE WORKING WITHIN

WHITE LETTERS ON RED BACKGROUND
BRADY Y1200590 STICKER

DANGER

480 VAC

LOCKABLE DISCONNECT CUTOUTS BY BUILD SHOP



215CR	
216CR	
315CR	
316CR	
+24VDC	OVDC
+24VDC	OVDC
+24VDC	OVDC
+24VDC	OVDC
+24VDC	OVDC
+24VDC	OVDC
2180	2141
2180	2141
3180	3141
3180	3141
SPARE	SPARE
SPARE	SPARE
214d	2140
218d	2140
215d	2150
219d	2150
216d	2160
220d	2160
314d	3140
318d	3140
315d	3150
319d	3150
316d	3160
320d	3160

(9) DOUBLE STACK TERMS
TOP BOTTOM
LEVEL LEVEL

(6) DIODE TERMINALS
MARKERS EACH SIDE
AS SHOWN

DRIVE NUMBER	PARAMETER NUMBER	PARAMETER NAME	NEW (NON-DEFAULT) VALUE	DATE	INITIALS

SHOP TO APPLY THIS LIST TO INSIDE OF DOOR

REV	REV BY	REV DATE	CHK BY	DESCRIPTION

REV	REV BY	REV DATE	CHK BY	DESCRIPTION
A		4-26-2016		REVD TERMINAL STRIP PER BLT PHOTOS

EXCEPT AS NOTED
DECIMAL TOL. SHALL BE:
0 PLACE (FRACTIONS) ± .400 [1/64"]
1 PLACE ± .200 [0.010"]
2 PLACE ± .100 [0.005"]
3 PLACE ± .010 [0.0005"]
ALL DOWEL LOC ± 0.010 [0.0005"]
BETWEEN HOLES

EXCEPT AS NOTED, MAXIMUM
ALLOWABLE ROUGHNESS SHALL BE:
1 PLACE FINISH 6 MICRONS (250 MICROINCHES)
2 PLACE FINISH 3 MICRONS (125 MICROINCHES)
3 PLACE FINISH 1.6 MICRONS (63 MICROINCHES)

WELKER BEARING COMPANY

TOOL NAME
POWERFLEX 525 PANEL BOX DOUBLE - 1HP NO I/O

DRAWN BY cmwilliams	DATE 09-24-15	LAST EDIT BY cmwilliams	ENG APPROVAL
------------------------	------------------	----------------------------	--------------

SHEET 4 OF 4
FILE NAME
SO2166 1HP DOUBLE

SCALE